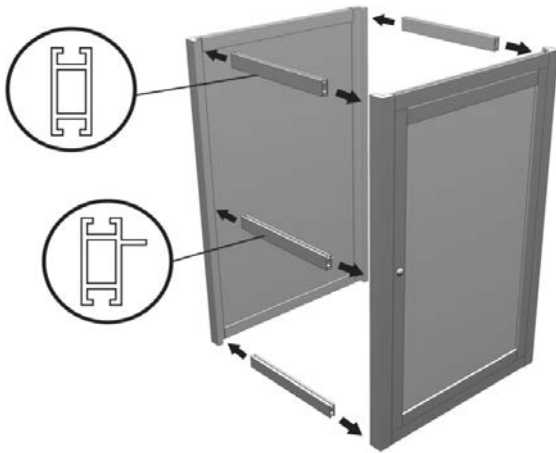


## Modular System -> Setup -> Counter 80

\*Note the front and back may come preassembled

Middle side beam has a lip for the shelf

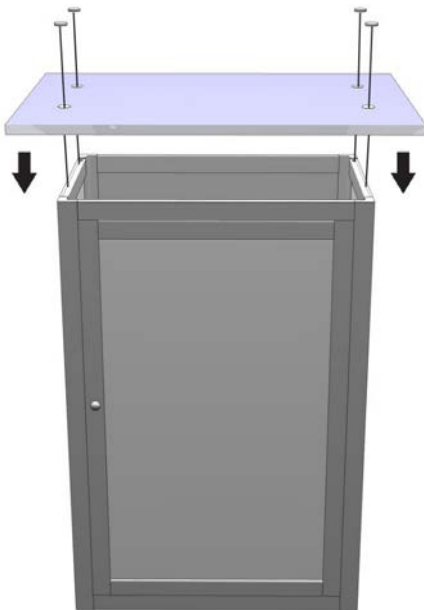


Connect the bottom side beam to the front and back

Slide the graphic panel next, then the middle shelf beam, followed by another graphic panel and then the final top beam, which has 2 pins sticking out. Repeat for the opposite side.



Place the counter top over and through the pins and secure with caps



Insert shelf

